

General Instruments used for Shoulder Surgery



Capsula Tendon Scissors
cvd TC, with fine serration

MAYO
17 cm // 6 3/4"
C151-17TW



52 x 22 mm

RICHARDSON
26 cm // 10 1/4"
D365-04



1 x 2 teeth

BONNEY (KÖLBEL)
18 cm
F406-18



Ø 28 mm

Shoulder Mallet
19 cm // 7 1/2"
K215-19



BEYER
18 cm // 7"
K705-18

Elevators / Retractors



BRISTOW-BANKART

18 cm // 7"
25 mm

D435-01



BRISTOW-BANKART

20 cm // 8"
21 mm

D435-02

Capsula Retractor



25 cm // 10"

1 prong	D435-11
2 prongs	D435-12
3 prongs	D435-13



*Humerus
Head Retractor*

18 cm // 7"

D435-18



30 cm // 12"
15 mm

D435-31



30 cm // 12"
23 mm

D435-32



30 cm // 12"
15 mm

D435-33



30 cm // 12"
20 mm

D435-34



KÖLBEL
Glenoid Levers
 15 mm

D435-41



KÖLBEL
Glenoid Levers
 23 mm

D435-42



Glenoid Neck Retractor
 21,5 cm // 8½"
 18 mm / 36 mm

D435-48



Anterior Glenoid Neck Retractor
 28 cm // 11"
 25mm

D435-51



Posterior Glenoid Neck Retractor
 25 cm // 10"
 30 mm

D435-52



Deltoid Retractor
 20 cm // 8"
 30 mm

D435-56



FUKUDA

32 mm	D438-01
38 mm	D438-02



FUKUDA-KUJAT

Humerus Head Retractor fenestrated

18,5 cm // 7 1/4"

30 mm	D438-10
35 mm	D438-11



DARRACH

	Length	
9 mm	26 cm // 10 1/4"	K486-09
12 mm	26 cm // 10 1/4"	K486-12
16 mm	26 cm // 10 1/4"	K486-16
25 mm	36 cm // 14"	K486-25



20 cm / 30 mm

Skid Lever double ended

28 cm // 11"

K494-01



MURPHY-LANE

32 cm // 12 1/2"

K494-32

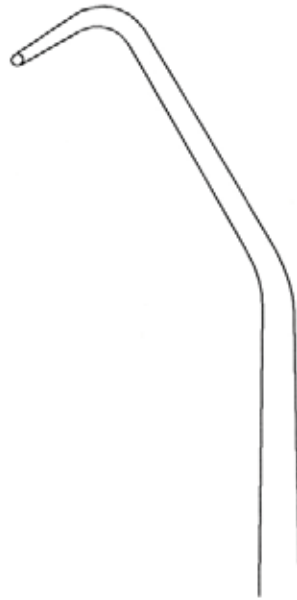
Tissue- and Muscle Spreaders



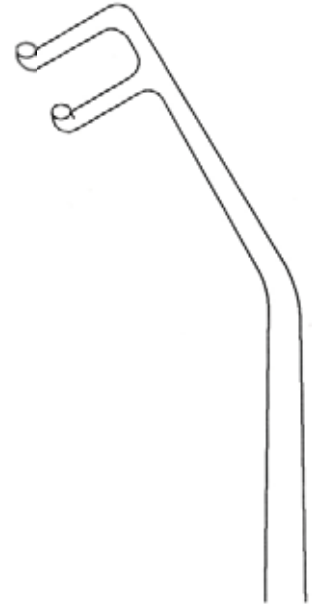
KÖLBEL
19 cm // 7 ½"



*Straight
single-pronged*
D776-181



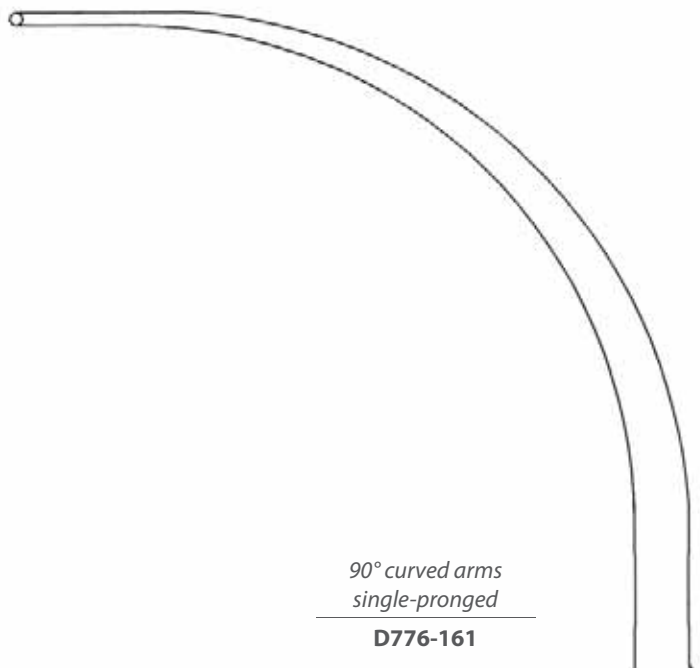
*Angled
single-pronged*
D776-182



*Angled
2 blunt prongs*
D776-183



KÖLBEL / GELPI
16,5 cm // 6 ½"



*90° curved arms
single-pronged*
D776-161

Self Retaining Deltopectoral Retractors



KÖLBEL

21 cm // 8 1/4"
Frame only

D805-110



KÖLBEL

Retractor blades blunt
Pair of 2 pcs.

Width/Depth	
20 x 36 mm	D805-201
20 x 53 mm	D805-202
20 x 68 mm	D805-203
20 x 85 mm	D805-204
36 x 36 mm	D805-211
36 x 53 mm	D805-212
36 x 68 mm	D805-213
36 x 85 mm	D805-214



KÖLBEL

21 cm // 8 1/4"

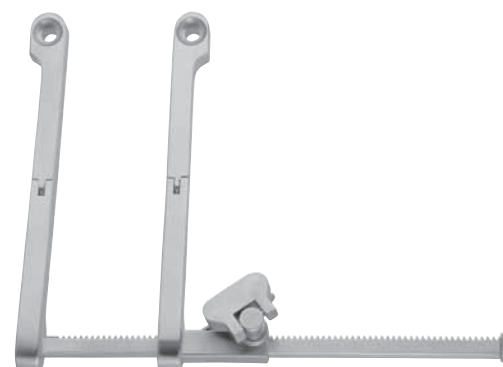
Retractor complete	D805-001
Retractor only	D805-111
Center blade only	D805-221
Pair blades	D805-211
Pair blades	D805-212



KÖLBEL

21 cm // 8 1/4"
Frame only
with hinge

D805-112



KÖLBEL

21 cm // 8 1/4"
Frame only

D805-121

Perforating Forceps



17 cm // 6 3/4"
slightly curved

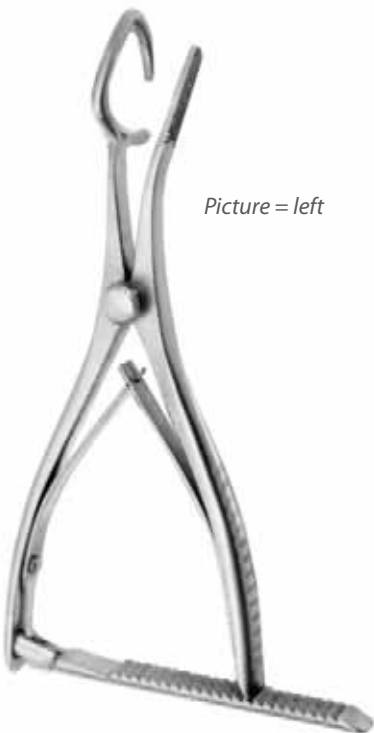
K593-01



17 cm // 6 3/4"
strongly curved

K593-02

Shoulder Spreaders



Picture = left

18 cm // 7"

left	K620-01
right	K620-02



Picture = left

25 cm // 10"

left	K620-11
right	K620-12



Picture = ring left

	ring left	ring right
19 cm // 7 1/2"	K620-31	K620-32
25 cm // 10"	K620-41	K620-42



22 cm // 8 1/2"

Shoulder Awl

<i>small</i>	K820-01
<i>medium</i>	K820-02
<i>large</i>	K820-03



23,5 cm // 9 1/4"

K820-11



Glenoid Punch
20 cm // 8"

K820-21



Ligature Carrier
18 cm // 7 1/4"

K820-26



Shoulder Penetrating Awl
18,5 cm // 7 1/4"

K821-01



Shoulder Crochet hook
18,5 cm // 7 1/4"

K821-11



Shoulder Suture Passer
18,5 cm // 7 1/4"

K821-13



Shoulder Penetrating Gouge
22 cm // 8 1/2"

K821-51

Arthroscopes for Shoulder Surgery



	Length 175 mm
2,7 mm / 0°	109-175/00
2,7 mm / 30°	109-175/30
4,0 mm / 0°	115-175/00
4,0 mm / 30°	115-175/30



Operating Sheath with 2 stopcocks

For Endoscopes

Diam.	Length	Direction of view	Diam. Sheath	
2,7 mm	175 mm	Universal	4,0 mm	505-001
2,7 mm	175 mm	30°	4,0 mm	505-002
4,0 mm	175 mm	Universal	5,5 mm	506-001
4,0 mm	175 mm	30°	5,5 mm	506-002

Trocar triangular sharp



For 505-001 and 505-002	505-113
For 506-001 and 506-002	506-113

Trocar conical blunt



For 505-001 and 505-002	505-113
For 506-001 and 506-002	506-113

Trocar round



For 505-001 and 505-002	505-114
For 506-001 and 506-002	506-114

Arthroscopic Shoulder Instruments

Analogical to our Arthroscopic Instruments, all Graspers and Forceps are available with various handles, according to the requirements of the Surgeons.



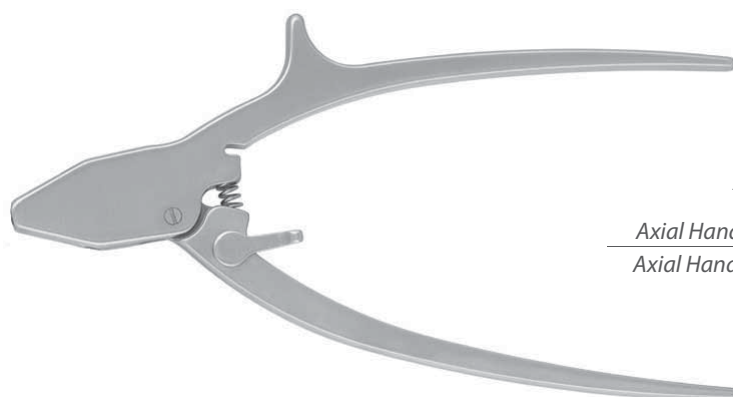
*best US
(Handle C)*



*best US with slide lock ratchet
(Handle D)*



*Axial-handle for Suture Instruments
(Handle K)*



Alternative oportunities

<i>Axial Handle w/o ratchet</i>	<i>(Handle L)</i>
<i>Axial Handle with ratchet</i>	<i>(Handle M)</i>

Working Length 155 mm

Suture Hook



CLEVER



	Handle C	Handle K
Pointed tip left	550-001C	550-001K
Pointed tip right	550-002C	550-002K

Suture Hook



SIXER



	Handle C	Handle K
Turned left	550-011C	550-011K
Turned right	550-012C	550-012K

Suture Hook



BIRD BEAK



	Handle C	Handle K
straight	550-020C	550-020K



	Handle C	Handle K
45° left	550-021C	550-021K
45° right	550-022C	550-022K

Suture Hook Forceps



BIRD BEAK

	Handle C	Handle K
20° up	550-031C	550-031K
40° up	550-032C	550-032K

Suture Graspers serrated



	Handle D
straight	550-100D



	Handle D
45° left	550-101D
45° right	550-102D



	Handle D
15° up	550-103D

Suture Grasper cross-serrated



KING



	Handle D
straight	550-110D

Suture Punches



	Handle C	Handle K
straight	550-120C	550-120K

Double Suture Hooks



	Handle C	Handle K
straight	550-130C	550-130K



*Sliding Suture Hook
with positioning handle*

550-140